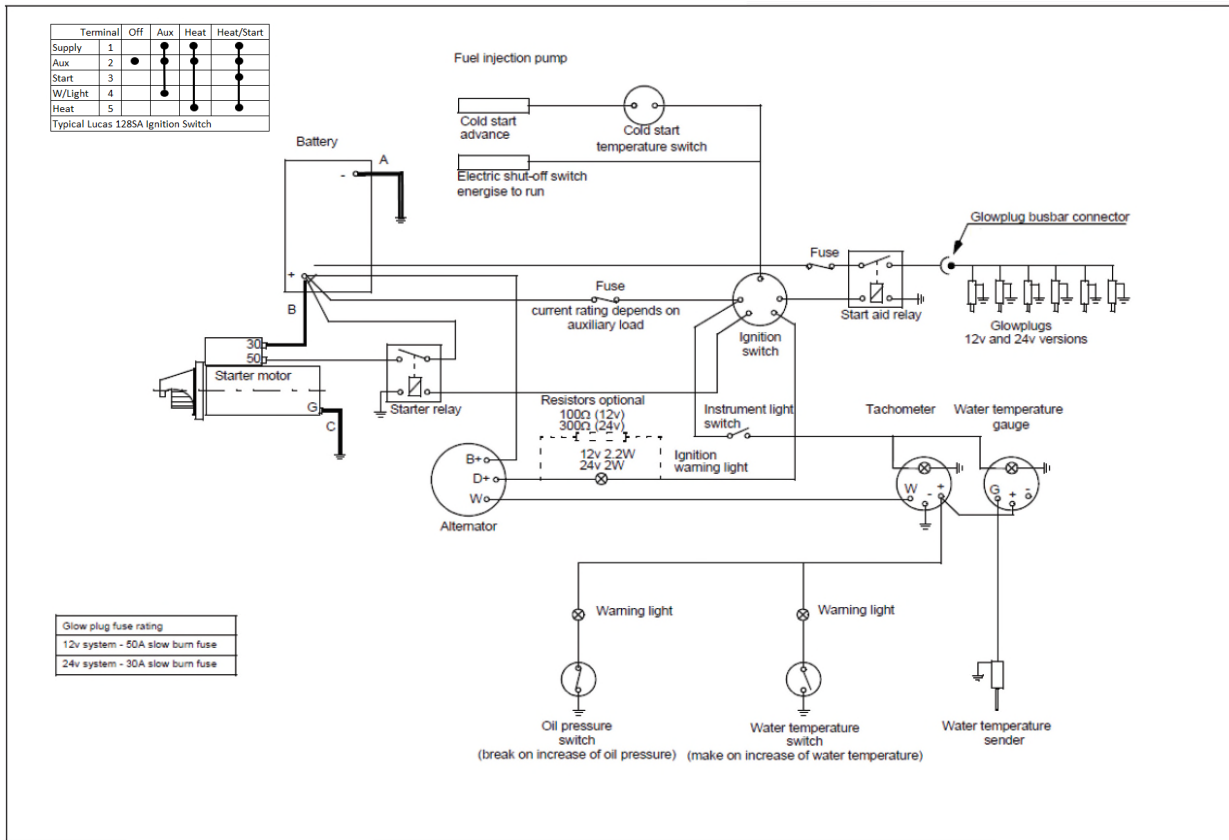


Electrical system Caterpillar C7.1 Mechanical Serial No. prefix 673 & M75



Starter Motor

Model	Voltage	Solenoid current		Max volts drop in solenoid circuit
		Max pull-in amps	Max hold-in amps	
E0421/E0431	12V	68A	20A	0.5V
E0471		46	6	
E0441	24V	30	6	1V
E0460		46	14	

Note: Resistance of battery cable A, B, and C not to exceed 0.0017ohm.

Alternators

Model	Rating	Min cable size for rating	Max circuit Volt drop
N0510	14V 65A	8.5mm ²	0.5V
N0530	14V 85A	16mm ²	
N0440	14V 120A	25mm ²	
N0400	28V 55A	8.5mm ²	1.0V
N0420	28V 75A	16mm ²	

Notes:

- N0440 must be connected D+ terminal with warning lamp or right resistor terminal, detail see electrical schematic.
- N0400/N0420/N0510/N0530 customer can open D+ terminal if no warning lamp.